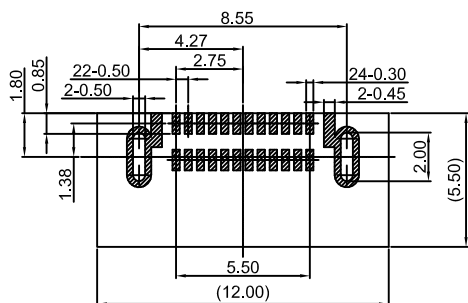
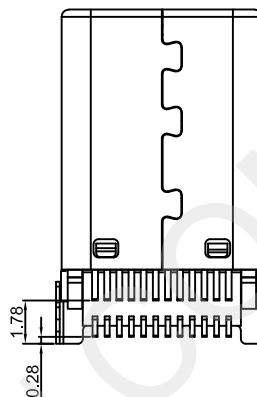


截面 A-A



RECOMMENDED PCB LAYOUT
PCB THICKNESS 0.8mm
GENERAL TOLERANCE ±0.05

A1	A2	A3	A4	A5	A6	A7	A8	A9	A10	A11	A12
GND	TX1+	TX1-	VBUS	CC1	D+	D-	SUB1	VBUS	RX2-	RX2+	GND
GND	RX1+	RX1-	VBUS	SUB2	D-	D+	CC2	VBUS	TX1-	TX1+	GND
B12	B11	B10	B9	B8	B7	B6	B5	B4	B3	B2	B1

NOTES:

- CURRENT RATING:
3.0A MAX.
- DIELECTRIC WITHSTAND VOLTAGE:
100VAC.
- TEMPERATURE RANGE:
-30 °C ~ 85 °C.
- CONTACT RESISTANCE:
40 MILLIONHM MAX.
- INSULATION RESISTANCE:
100 MEGOHMS MIN.
- INSERTION FORCE :
5N~20N.
- UNMATING FORCE:
8N~20N.
- DURABILITY:
10,000 CYCLES.
- ALL PRODUCTS COMPLY WITH RoHS ENVIRONMENTAL REQUIREMENTS.
- 10: MARK "▼" AS THE FOCUS, FIRST ITEM INSPECTION.
- 11: MARK "⊗" TO MEASURE DIMENSIONS FOR FAI.

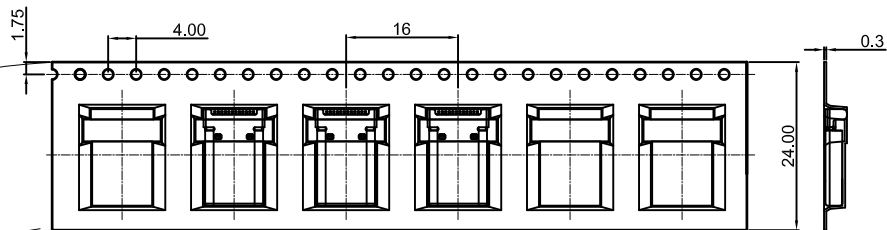
TABLE:

INSERT MOLD	SHELL	Stainless Steel,T=0.15mm;	Ni:50u"Min
	LATCH	Stainless Steel,T=0.3mm;	Electroplated semi-nickel matte tin;50u"Min;
	EMC SPRING	Stainless Steel;T=0.10mm	-----
	CONTACT	Copper Alloy;T=0.20mm	Ni:50u"Min; Au:CONTACT AREA:1u", Solder AREA:Sn 50-100u"
	PLASTIC	LCP(G.F30%) BLACK.	-----
P/N	PART NAME	MATERIALS	FINISH

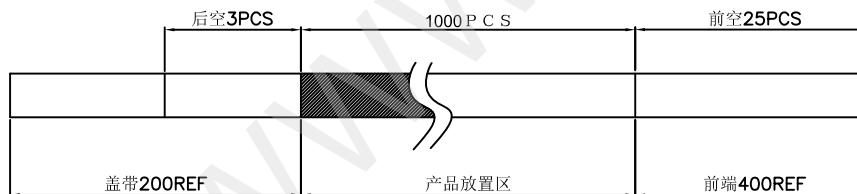


深圳市华宇创精密电子有限公司

TOLERANCE: X.X ±0.30 X.XX ±0.25 X.XXX ±0.15 X.' ±2' X.X' ±0.5'	DRAWN BY : 陈一鸣	DATE : 2014-02-23	PART NAME: USB TYPE C 公座24P 翻合式沉板0.95 双排SMT 两脚DIP
	CHECKED BY: 马跃	DATE : 2014-02-23	PART NO. : HVC663-USBC24-095
UNIT: mm [inch] SCALE:1:1 SIZE: A4	APPROVED BY: 邱敏	DATE : 2014-02-23	DRAW NO. : HVC-2601051650
			SHEET NO. : 1 OF 1



包装示意图:



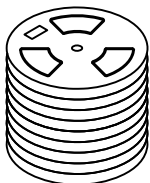
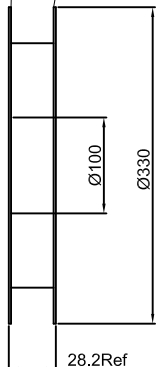
客户拉出方向

自粘上带(上带剥离力0.2-1.2N)

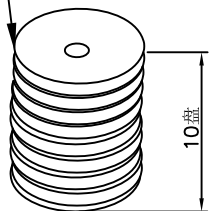
前端

产品内标签
产品标签格式(所有包装格式一致,只需更改数量即可)

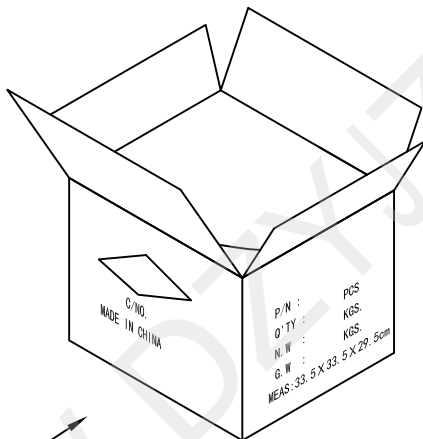
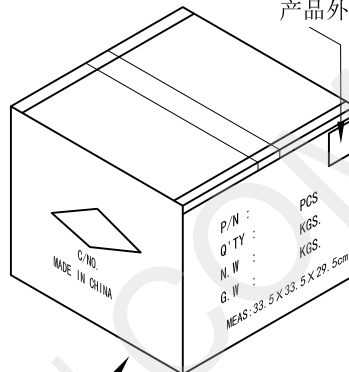
产品外标签



卷带盘10盘




将10盘产品放入纸箱内



备注:

1. 把上下载带送入载带机进行调整,然后将产品按照指定的方式摆入下载带中,开动卷带机进行卷装(每卷包1000PCS),卷装完成后需用上带缠绕最少20CM;
2. 在卷装OK的每卷盘面的指定位置上贴上物料和RoHS标签装入纸箱内;每箱装10盘
3. 纸箱用封箱带将其封好,胶带要求工字型,不可遮住标签;
4. 如果客户对包装标签另有要求,请按客户要求作业;有未满足之零数箱需用缓冲材料填充;
5. 上载带剥离力:0.2-1.2N.;

 深圳市华宇创精密电子有限公司			
TOLERANCE: X.X ±0.30 X.XX ±0.25 X.XXX ±0.15 X' ±2' X.X' ±0.5'	DRAWN BY : 陈一鸣	DATE : 2014-02-23	PART NAME: 包装图
	CHECKED BY: 马跃	DATE : 2014-02-23	PART NO.
UNIT: mm [inch] SCALE:1:1 SIZE: A4	APPROVED BY: 邱敏	DATE : 2014-02-23	DRAW NO:
			SHEET NO. 1 OF 1